

Asbury
UNITED METHODIST CHURCH
A Place For All. No Exceptions.

6822 Grand Avenue, PO Box 7135
Duluth, MN 55807
218-624-0061

**The Reverend
Katherine Cornell**

Online Sunday Worship 10:00 am
asburyduluth.org/about-us/worship/

Worship By Phone: 218-207-2156

Phone in Office Hours
Monday: 10:00 am to 3:30 pm
Tue-Thurs: 9:00 am to 2:30 pm
Closed Friday

Messenger



**1st Sunday of Advent/Hope
November 29
10:00 am Worship**



**2nd Sunday of Advent/Joy
December 6
10:00 am Worship/Communion**

**3rd Sunday of Advent/Peace
December 13
10:00 am Worship/Birthday**



**4th Sunday of Advent/Love
December 20
10:00 am Worship/Praise**

**Longest Night Worship
December 21 — 7:00 pm**



**December 24
4:00 pm Candlelight Worship**

Table of Contents

A Penny For Your Thoughts	2
Pastoral Care	
Asbury News	3-11
Worship Notes	
December Birthdays	
Thank You!	
Lay Readers for 2021	
Pledge Card Report	
Longest Night Worship	
Thank Our Staff	
Power of Prayer	
Calendar	
Ad Council Minutes	
Treasurer's Report	
Kid's Corner	
All About Me	
Mitten Tree	
2021 Offering Envelopes	
Confirmation Update	
Toy Drive	
Red Phase Information	
Christmas Poinsettias	
CHUM Report	
2021 Elected Leadership	
UM Women	8-9
“Mini” Fall Pantry Update	
UMW Awards	
UMW Meetings	
Meet the Staff	12



A Penny For Your Thoughts

Missing the Trees For the Forest

It's hard to believe Advent is here already! (Snow is currently all over the tree branches and that adds credibility for me.) And yet, it also feels like this year is taking FOREVER to get itself out the door. Too fast and too slow, all at the same time. Then there is us, waiting right in the middle of it all.

This year in particular, Advent as the strange waiting time seems particularly appropriate. We are all waiting for a vaccine to be distributed so we can get back to semi-normal ways of interacting, especially at church. But for now, we are waiting. We are waiting for our political news to stop being full of negative firsts and challenges. But for now, we are waiting. We are praying for good news somewhere in the economy that supports all people we know. But for now, we are waiting

As we wait this year, we're turning our attention to some things that are PROS at waiting through seasons of change. They can change with the seasons, wait out times of dryness or too much water. They can adjust to changing light, changing temperatures and even some degrees of changing climate. While looking right at them, we don't see them do too much. Yet to judge them on how much they do in a short period of time would be to miss the trees for the forest. In fact, it would be missing the trees altogether.

That's right. I really do mean trees. This year for Advent, we will be looking at trees and specifically exploring trees found in the Bible. We'll look at several trees, their use and meaning in scripture, and also then in our lives as we count down the weeks to the celebration of the coming of Christ in our midst! Even though Advent is different this year, we can especially rejoice God chose to enter our lives through all Creation, and still, we are reminded of new life in so many ways, even the celebration of the child so long ago.

Though our services will be different, I am still excited to be pre-recording some special services that I hope will help you know God's presence with you in this season. And in keeping with God's call for each of us to be involved in the realization of God's kingdom, I need your help with several things.

First of all, in recognition of loss and grief during this season, we are having our Longest Night service online



on December 21 at 7:00 pm. During the service we usually write down our griefs, sorrows, things that are heavy and weighing us down. Then at the end we gather around a fire outside and drop these cares and concerns into the flames. Though we cannot gather to collectively burn our worries, I would like for you to send them to me over email or a phone call, and I will then read out the cares (anonymously) and burn them for our pre-recorded service. SO, if you would like to share a care, grief, concern or worry that will be read aloud and then burned, please call me or email me.

The next opportunity is for our Christmas Eve service which will also be pre-recorded. We again will be sharing the Christmas story through the lessons and carols that we love. There are two places for your involvement. The first is if you would be willing to read one of the scripture lessons. If you would like to participate in this manner, please call me and we'll figure out how to get it recorded. The second opportunity will be on December 20 at 5:00 pm. If we are able (pending COVID restrictions), I would like for those who would like to gather in the Asbury parking lot to light candles and sing Silent Night. We would remain physically distant with masks on, and we would stay outside (so bundle up). Again, look for an email and a Sunday morning announcement closer to the time to see if we are able to do this.

Thank you for your continued involvement and care for one another. I know many of us have Christmas trees up for the season. I pray and hope they also serve as a reminder of God's evergreen love for us, the opportunity we have to learn resilience from them as part of God's creation, and that we can wait through Advent with our church family to see the New Life God still promises for all of us.

Blessings and Peace,
Katherine

Pastoral Care: Please notify the church office (218-624-0061) if you or someone you know is in need of pastoral care for illness, hospitalization or surgeries. In case of emergency and there is no answer at the church, please contact Pastor Katherine at 828-263-2035 or email at kcornell@wnccumc.net.

Asbury News

Thank You!

Dear Asbury United Methodist Church:

Because of your donation, homeless and street youth in the region have somewhere to turn when they are left to fend for themselves. Through comprehensive services and a holistic program model, Life House provides a place of acceptance and belonging where youth can reclaim a positive future. We are here for them providing unconditional support and a safe alternative to the streets. Your support makes a huge difference. Thank you for your generous gift.

Amber Sadowski, Development Director, Life House

Dear Asbury United Methodist Church:

We appreciate the donations we receive from all of you. Most recently the backpacks. It really helps the students out a lot. Thank you! Stay healthy!

Stowe Elementary School Staff & Students

Dear Asbury United Methodist Church:

Thank you for your recent donation. It means so much to all the folks who come to our Mission. God bless you all.

Union Gospel Mission Staff

Dear Asbury United Methodist Church:

Thank you for your gifts to CHUM in 2020. Because of you we can feed thousands of our neighbors, shelter and support people experiencing homelessness, provide dignity through advocacy and compassion and give hope for a changing future. Our best wishes for a very happy and blessed Thanksgiving & Christmas.

CHUM Staff



Dear Asbury Family & Friends,

Thank you so much for your phone calls, get well cards, and prayers for my well being after my recent surgery. I truly appreciate all of you.

Love, Pat Nelson

Dear Asbury Family,

Thank you so much for your phone calls, cards, and expressions of love at the death of Karen. Your love and support gives me strength. I appreciate all of you. Thank you again for your care for me.

Sincerely, Dick Holm

Lay Readers For First Half of 2021

We are updating our list of people who are willing to read Scripture during live stream Worship. **If you would like your name to be added to, or remain on the Lay Reader list** please call 624-0061 or email Shirley at: asburyumcduluth@hotmail.com.

Thank You For Your Pledge Cards!

We have a total of \$100,716.00 pledged so far for our 2021 Operating Budget from 48 pledge units! If you have not returned your pledge card yet, please do so as soon as possible.

The deadline is December 6.

Thank you for your generosity and commitment to the ministry, people and programs of Asbury United Methodist Church!



Our December Outreach/
Communion Offering
collection is for the
Asbury Discretionary Fund.

Attendance . . .

November 1	116 views
November 8	84 views
November 15	63 views
November 22	86 views



DECEMBER Birthdays

- 5 Scott Plys
- 6 Dawn Jones
- 7 Carol Smith
- 9 Sandy Winklesky
- 13 Carol Peters
- 15 Alayna McGraw
- 16 Ruth Thorpe
- 17 Finnegan Miller
- 18 Bill Guldner
Dale Thorpe
- 19 Rod Ridgewell
Max Thibault
- 23 Judy Skorich
Shelly Vanneste
Willie Winklesky
- 29 Max Tollefson

*Not included?
Please contact the
church office at 624-0061.*

Asbury News



The Longest Night Service: Longing For Light?

The holiday season can be a painful time for some. Whether it's the first Christmas without a loved one, the anguish of broken relationships, the insecurity of unemployment, the weariness of ill health, or the pain of isolation, for many reasons the holiday season may not be one filled with joy and happiness. We are especially aware of loss this year with the challenge of the COVID-19 pandemic. Our celebrations and gatherings have to be put on hold or be changed to virtual events.

Join our community online on the longest night of the year Monday, December 21 at 7:00 pm as we join in a contemplative worship service that acknowledges our grief and celebrates the light that shines in the darkness. You can join the service on our YouTube site at Asbury UMC Duluth: https://www.youtube.com/channel/UC2V1xSPTLmP2kxHhsR807Qg?view_as=subscriber

Thanking Asbury's Staff & Volunteers

As we end the year 2020, the Staff Pastor-Parish Relations Committee thinks this is a good time to remember to thank our Asbury staff — Pastor Katherine, Shirley, Phyllis, Dan and Michael — for everything they have done and all of their hard work in keeping us going and holding our church family together.

Pastor Katherine's role as the Pastor of our church is obvious but Shirley, Phyllis, and Michael have gone above and



PLEASE PRAY FOR:

Lisa Greene
 Jim & Bobbi Gimpel
 Ray & Carol Peters
 Roy & Sherry Peters
 Nathan Peters
 Anna & Bill Guldner
 Pat Anscorb
 Pat Ballantine
 Ron Brosdal
 Floss Johnson
 Amy Applebee
 Louise Anderson
 Ed Lone
 Shirley Brandt
 Dick Holm
 Fred Little
 Barb & M. George Downs
 Vivian Simmons
 Karter Lauderville
 Barbara Larson
 Bill Swanstrom
 Bob Cherne
 Ardelle Peterson
 Jill Spencer
 Colleen Carlson
 Our Nation
 General Conference 2021
 Our sponsored child, Katerin
 Bill Schultz
 Marshall & Florence Froland
 Mike Soder's Aunt Martha
 Donna Mickelson
 Brian Herrick
 Rodger Parendo



Clark & Patty Bennett
 Ted & Mary Jo Plys
 Pat Nelson
 Carl Larson
 Phyllis Kruell's son & grandson, Ben & Angelo
 Veteran John
 Family of Karen Holm
 Family of Melinda Vaughn

In honor and gratitude for those serving in the military; we pray God's sustaining presence upon each one.

Steve Bennett
 Rory Blazevic
 Michaela Bock
 Alex Bourdage
 Ian Evans
 Daylon Moore
 Anika Pavlich
 Dominic Pavlich
 Rick Peterson
 Alex Plys
 Roger Reinert
 Renee Ruppel
 Scott Stumbo

beyond in this pandemic environment to support and make weekly worship — in one form or another — possible.

Shirley's weekly duties have expanded in getting the weekly bulletin information out in multiple formats along with all the regular weekly/monthly/quarterly responsibilities.

Phyllis, as Music Coordinator, has worked tirelessly to bring us sweet music on a weekly basis.

Michael has recorded, coordinated, streamed and done all things technologically in making sure that worship arrives on our iPads, laptops, computers, or phones.

Dan, Asbury's long-time custodian, has kept up with the cleaning — pandemic-style — and performed some extra, deep-cleaning jobs.


There are countless others who have done their part in helping us all to "hold it together", but two special mentions are Debbie Merrick and Kim Herrig who have participated faithfully in worship with music, singing and preaching.

Please remember our staff and volunteers with a "thank you" as we close this very exhausting and most unusual year.

"Glory to God in the highest, and on earth peace to men on whom his favor rests." *Luke 2:14.*

Calendar

December 2020

Sun	Mon	Tue	Wed	Thu	Fri	Sat
<p>In-church worship has been postponed. Worship will continue online at 10:00 am. The YouTube link will be emailed out prior to each Sunday's service.</p> <p>All online worship services may also be viewed on Asbury's website at https://asburyduluth.org/about-us/worship/</p>		<p>1 9:00 am, SVFC, FH POSTPONED</p>	<p>2 8:30 am Men's Coffee, FH POSTPONED</p> <p>5:30 pm, YOGA, FH POSTPONED</p>	<p>3 10:00 to 11:00 am, 2nd Harvest Food Dist</p>	<p>4 Dumpster Pick Up</p>	<p>5</p>
<p>6 2nd Sunday of Advent 10:00 am On-line Worship/Communion</p> <p>Please use Asbury's YouTube link.</p>	<p>7</p>	<p>8 9:00 am, SVFC, FH POSTPONED</p>	<p>9 8:30 am Men's Coffee, FH POSTPONED</p> <p>5:30 pm, YOGA, FH POSTPONED</p>	<p>10</p>	<p>11</p>	<p>12</p>
<p>13 3rd Sunday of Advent 10:00 am On-line Worship/Birthday Please use Asbury's YouTube link.</p> <p>3:00 -5:00 pm Confirmation Class, Zoom</p>	<p>14</p>	<p>15 9:00 am, SVFC, FH POSTPONED</p>	<p>16 8:30 am Men's Coffee, FH POSTPONED</p> <p>5:30 pm, YOGA, FH POSTPONED</p>	<p>17</p>	<p>18 Dumpster Pick Up</p>	<p>19</p>
<p>20 4th Sunday of Advent 10:00 am On-line Worship/Praise</p> <p>Please use Asbury's YouTube link.</p> <p>3:00 -5:00 pm Confirmation Class, Zoom</p>	<p>21 7:00 pm Longest Night Worship</p> <p>MESSENGER DEADLINE</p>	<p>22 9:00 am, SVFC, FH POSTPONED</p>	<p>23 8:30 am Men's Coffee, FH POSTPONED</p> <p>5:30 pm, YOGA, FH POSTPONED</p>	<p>24 4:00 pm, Christmas Eve Candlelight Service</p> 	<p>25</p> 	<p>9:00-10:30 am Free Community Drive-Through Breakfast, Our Savior's Lutheran</p>
<p>27 10:00 am On-line Worship</p> <p>Please use Asbury's YouTube link.</p>	<p>28 MESSENGER EMAILS/MAILS</p>	<p>29 9:00 am, SVFC, FH POSTPONED</p>	<p>30 8:30 am Men's Coffee, FH POSTPONED</p> <p>5:30 pm, YOGA, FH POSTPONED</p>	<p>31</p>  	<p>Boy Scout Troop 16 meets via Zoom at 6:00 pm Sundays Cub Scout Troop 16 meets via Zoom at 6:00 pm Mondays</p> <p>Bone Builders, Knitting Klub, Love/ Hope Circle, Faith Circle, Book Club are cancelled until further notice.</p>	

Asbury News

Ad Council Meeting Minutes — 11-17-20

Opening

In Bonnie Schroeder-Palmi's absence, Steve Kokotovich called the meeting to order at 6:55 p.m. Due to the Coronavirus Pandemic, the Ad Council used Zoom to virtually meet.

Secretary's Report:

Minutes of the October 20, 2020, Administrative Council were reviewed. Jan Akervik made a motion to accept the minutes as read. The motion was seconded and unanimously approved.

M – Jan Akervik, S – Gary Winklesky

Lay Leader's Report – Steve Kokotovich

Steve commented on how quickly things can change. We are now back to no in-person church services.

Steve noted that there is a lot of behind the scenes work to providing the church services online.

It was noted that there is a reflection on the lectern side that needs to be corrected.

Treasurer's Report – Pat Anscomb

The September monthly summary was given. Balance on Hand, 10/31/2020 is \$16,421.94.

As of 10/31/2020, we have paid half of our 2020 Conference Apportionments for a total of \$11,400.48, with a balance due of \$11,400.52.

However, in November we have made three additional payments and hope to make all of our payments by the end of the year.

Our 2021 Apportionments will be lower next year.

It was decided that \$150 of our Thanksgiving and Christmas offerings will go to TPUMMS. The balance of the remaining offering will be decided at our January Ad. Council meeting.

Staff Parish Relations Committee – Cathy Sampson

The committee met last week and recapped the annual staff reviews.

They also discussed Pastor Katherine's salary figures.

Cathy encouraged church members to write notes of appreciation to our church staff members.

Trustee's Report – Nancy Wagner

Some of the Trustees were present at the November elections that were held at our church. They reported that elections went very smoothly.

Stack Brothers has replaced a pump on the furnace.

United Methodist Women – Jan Akervik

The Mother Hubbard's Cupboard letter has so far brought in \$2,770.

The "Mini" Pantry has brought in \$1,800. The Green Room is now a

"Mini" Pantry Boutique. People who wish to shop at it can contact

Bev LeClair, Cathy Sampson or Pat Anscomb to arrange an appointment.

Because of COVID-19, the UMW will be working with a smaller 2021 budget.

Outreach and Missions Team

Socks and \$86 were donated to the Damiano Center.

Second Harvest food distribution is ongoing.

The church is collecting mittens, gloves, sox and boots for school children in our area elementary schools. There is a "Mitten Tree" box in the church Narthex.

Toys for the Salvation Army can be brought to the church by Dec. 11th.

The committee sent \$50 to Kat, a girl from El Salvador who is sponsored by the Sunday School.

TREASURER'S REPORT:

10/31/20

GENERAL FUND:

Beginning Cash Balance, 9/30/20	<\$ 17,772.31>
Deposits	\$ 13,144.45
Total to Account for	\$ 30,916.76
Checks Written	<\$ 14,494.82>
Balance on Hand, 10/31/20	\$ 16,421.94

Unpaid Bills through 10/31/20

(includes apportionments)

Net Ending Balance at 10/31/20

<\$ 8,124.68>

\$ 8,297.26

Education Team – Sandy Winklesky and Cheryl Parendo

The Education Committee continues to send out Sunday School packets to the children. The members will continue to do this on a monthly basis.

The Sunday School is featuring a student each month in the Messenger.

The Sunday School sent \$25 to Kat for her birthday.

A Sunday School Christmas program will be on hold until next year.

Worship Team – Pastor Katherine

Donna Michelson will be the Worship Team Facilitator for next year.

A string quartet will be featured at our Dec. 13th service.

The committee will be prerecording our Longest Night and our Christmas Eve Services. The Longest Night will premiere on Dec. 21st, at 7:00 pm, and the Christmas Eve service will be at 4:00 pm.

Possible plans for an outdoor candlelight moment were mentioned.

On December 27th, a Conference prepared service will be used.

Nurture/Congregational Care Team – Sandy Winklesky

No reports from the Visitation and the Scholarship Committees.

The Membership Committee has created a postcard that will be sent out to members and friends in January.

Pastor's Report – Katherine Cornell

The council discussed the plan that our church parking lot will be used as a mobile COVID-19 testing site. The dates planned for this are Dec. 18th,

Jan. 15th, Feb. 12th and March 12th. Pastor Katherine made a motion that

we allow our church parking lot for mobile COVID-19 testing on these

dates. The motion was seconded and unanimously approved.

M – Pastor Katherine, S – Gary Winklesky.

The council discussed a possible need to provide a meeting place and internet access for area school students and educators. We are willing to gather more information on this if there becomes a need.

Confirmation met at the church last Sunday. The next meetings will be on Zoom.

Old Business - none

New Business - none

Closing

The next Virtual Ad. Council meeting will be on Tuesday, January 19, 2021 at 6:30.

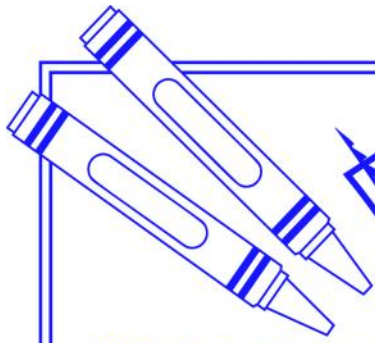
Jan Akervik made a motion to adjourn the meeting. The motion was seconded and unanimously approved.

M – Jan Akervik, S – Pat Anscomb.

The meeting was adjourned at 8:03 p.m.

Respectfully Submitted,
Patricia Bennett, Recording Secretary

Kid's Corner



PUZZLE

WHITE AS SNOW

Jesus, our Savior, came to earth to purify sinners.

Directions: Figure out which path through the puzzle is correct. Choose one to try, starting at the first picture under the "Path" box. Follow each picture's directional cues to see if the words make sense when placed in order in the blanks below. If not, try a different path until you figure out the Bible verse.



PATH 1	PATH 2	PATH 3	PATH 4	PATH 5	PATH 6
for	give	come	together	around	after
self	into	settle	eternal	thanks	forgive
God	LORD	says	without	Christ	warmth
love	sins	scarlet	other	light	praise
red	star	white	snow	winter	peace



“ _____ now, let us _____ the matter,” _____ the
 _____. “Though your _____ are like _____,
 they shall be as _____ as _____”

ISAIAH 1:18, NIV

Answer: Path 3; come, settle, says, LORD, sins, scarlet, white, snow

ALL ABOUT ME!

My name is Nate Nylund. I came into this world in a place called St. Lukes, on the 5th day of the month, September, in the year 2007. They thought about naming me Nathan. If I could choose my own name, it would be Keanu Reeves.

In my family, I have two brothers and zero sisters. My favorite thing to do is



play video games or go sledding. My favorite thing to eat is steak. I don't like it when I have to eat a hot dish.

My home is a building made of wood. It's located in the woods. At my home, when I look out the window, I can see woods. My favorite thing to do all by myself at home is play video games. I am real bad at drawing and tracing.



United Methodist Women



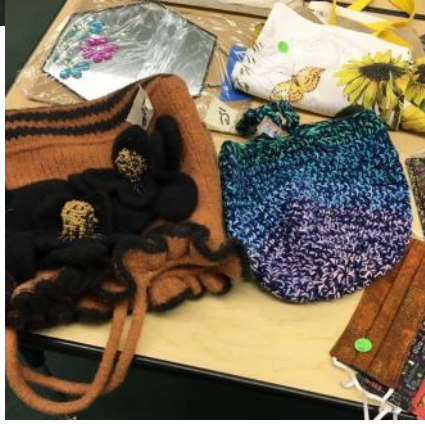
UMW “Mini” Pantry Boutique Update

We are back to the Red Phase for gathering so UMW’s Plan D has fallen by the wayside. However, we still are not giving up and are hopeful we won’t end up with Plan Z!

The items from our “Mini” Pantry are still set up boutique-style in the Green Room at Asbury (please see pix) but appointments for shopping and pickup are on hold until we are out of the Red Phase. However, you may **reserve items** if you wish by calling Pat Anscomb at 624-4554, Bev LeClair at 628-2680 or Cathy Sampson at 349-5307.



**START
YOUR
HOLIDAY
SHOPPING!**



**LOTS OF
GREAT
ITEMS!**

UMW Awards for 2020

The following persons will receive the following awards on UMW Sunday (date TBD) in January to honor all they have done in 2020. All awards have a monetary gift made to Missions in their names.

The **Special Recognition Award** is being presented to Shirley Brandt. Not only UMW, but our congregation and committees could not do what all has to be done without her support.

Gift to Mission for all they have contributed this

year go to the support team that has made our virtual church services available to our congregation and community: Michael Cornell, Ben Nylund, Phyllis Kruell, Debbie Merrick, and Kim Herrig.

Gift in Memory for those we have lost:

Florence Brosdahl, Mable Ridgewell, Louise Taraldson, Darlene Rowan, and Karen Holm.

We are looking forward to celebrating these persons on UMW Sunday.

UMW Meetings

- UMW board members meet at 9:30 am in the Wesley Room on the 1st Wednesday of each month.
The UMW Board will NOT meet in December.
- Love/Hope Circle meets at 1:00 pm in the Wesley Room on the 3rd Tuesday of each month.
Love/Hope Circle will NOT meet in December.
- Faith Circle meets at 1:00 pm in the Wesley Room on the 3rd Thursday of each month.
Faith Circle will NOT meet in December. Please remember to send your World Thank Bank money and Christmas donation to Patty Bennett. The World Thank Bank donations must be sent to the Big Waters District in early December. Mark your check as to what amount is for each donation. Have a wonderful holiday!
- Knitting Klub members meet at 2:00 pm in the Wesley Room on the 2nd and 4th Tuesdays of the month.
Meetings are postponed until further notice.
- Green Door Book Club members meet at 9:30 am in the Wesley Room on the 3rd Monday of each month.
The Club has postponed meetings until further notice.

Asbury News



Asbury Mitten Tree

The cold winter months are upon us and many children are unprepared for the outdoors. Because we are in the Red Phase, drop offs of winter accessories are discouraged at this time. Asbury welcomes monetary donations for mittens, hats, etc. for the children in our area elementary schools. Please write the check to Asbury and note "Mitten Tree Project" in the memo. Thank you for your generosity and kindness.

2021 Offering Envelopes Now Available

Offering envelopes for 2021 are available. They will be available for pickup once we are out of the Red Phase. **PLEASE NOTE: For tax purposes, all 2020 year-end giving must be in the church office no later than January 3, 2021.** Thank you!

Confirmation Update

We have begun our journey of confirmation with 5 confirmands. Please keep Ale, Allison, Nolan, Nathan and Ryder in your prayers as we explore faith and relationship with God. I would love to share your stories of faith with our confirmands, so if you have a story to share of a time when you were aware of God's presence in your life, please send me a note or email so that I can share them in the group. Thank you for your prayers and support!
— Pastor Katherine

Toy Drive — December 6 Deadline

Since we have returned to the Red Phase of re-opening, the Outreach Committee is asking for monetary donations by December 6 instead of toy drop offs for the Salvation Army Toy Drive. If you have already dropped off toys, we thank you so very much. Those toys will be brought to the Salvation Army on December 11.
— Outreach Committee

Asbury News

Current Phase: Red



Phased Re-Gathering Plan for Churches

We are currently in Red Phase — People are advised not to gather with anyone outside of their household, and there are restrictions on many businesses. The number of cases is high and rising, and hospital capacity is a significant concern. Please see the links listed at the end of this article for more information beyond what is listed here.

- Church buildings are closed. Churches should worship online only.
- Pastoral care visits should be done by phone or online.
- Staff, leadership team, ministry team, youth group, and other group meetings should be done virtually.
- Weddings and funerals should be postponed if at all possible. Outdoor weddings and graveside services can be conducted provided no more than 10 people are gathered and those present follow social distancing guidelines. Family units should remain at least six feet apart from one another. These gatherings should be live streamed when possible to allow greater participation.
- Under state order, there can be no wedding receptions or post-funeral gatherings through December 18.
- Church volunteers should cease activities that require them to leave their homes.
- Having a few people record or live stream worship from your church sanctuary is permitted. If you do this, be sure everyone in the building follows social distancing guidelines and that the number of people does not exceed 10 in compliance with MN Department of Health recommendations.
- Clergy can leave their homes in order to do essential work that cannot be done remotely; they should remain at home and connect with people virtually whenever possible.

Bishop Ough issued a pastoral letter introducing the plan (please go to <https://www.minnesotaumc.org/newsdetail/letter-keeping-on-looking-ahead-14001468> for a re-cap of the Bishop's letter) which takes into account the phased plan released by the Office of



2020 Christmas Poinsettias

In Memory of
My husband "Mike"

In Celebration of
My Family
Jan Akervik

In Memory of
Ron & Alphia Carlson
Frank & Clara Faue

In Honor of
Our Parents

In Celebration of
R & A's anniversary
(Christmas Eve)
James & Phyllis Faue

In Memory of
My husband, Charles &
My Dad, Roy Stromgren
Karen Gokey

In Celebration of
Louise Anderson
who turned 91 this year.
Steve & Barb Kokotovich

In Memory of
Our Loved Ones
Bonnie Schroeder-Palmi
& Duane Palmi

In Memory of
Loved Ones
In Honor of
Health Care Workers
In Celebration of
Family
Joyce Park

In Celebration of
Jesus' Birth
Cathy & Larry Sampson

In Memory of
Fedro, Simmons &
Soder Families

In Honor of
Service Men:
Rick Peterson
Jon Laney
Nick Soder
Susan Soder

In Celebration of
Theodore Tollefson
Maren Stromgren
Lois Stromgren

In Memory of
Our Parents
In Celebration of
Lisa Greene's Life
Gary & Sandy Winklesky



Gov. Tim Walz (please go <https://mn.gov/covid19/for-minnesotans/stay-safe-mn/stay-safe-plan.jsp> for more information).

CHUM One Item In Need!

The CHUM Food Shelf is currently in need of CEREAL! All types are accepted for donation. Cereal is one of our most requested items, and as of late, one of the hardest to find and buy. We are currently giving away almost 800 boxes a month!

If you can help, please drop off your donations at the CHUM office at 102 W. 2nd St., Duluth, between 9:00 am and 12:00 pm, Monday through Friday. Thank you so very much.



2021 Elected Leadership

*Thank you to all who serve –
both those who are going off committee membership
and those who are continuing or beginning!
You are an important part of the ministry
and organization of our church!*

Administrative Council

Facilitator Bonnie Schroeder-Palmi
Recording Secretary Patty Bennett
Treasurer Pat Anscorb
Lay Leader Steve Kokotovich
Lay Delegate to Annual Conference Steve Kokotovich
Pastor Katherine Cornell

Ministry Team Facilitators

Board of Trustees Nancy Wagner, Dale Thorpe, Tom Houle
Finance Judi VanDell
Staff-Parish Relations Catharine Sampson
Scholarship Shelly Vanneste
Outreach Steve Kokotovich
Membership Clark & Patty Bennett
Worship Donna Mickelson
Christian Ed Cheryl Parendo, Sandy Winklesky
Visitation Pat Nelson
UMW President Jan Akervik
Landscaping Judy Pearson
At-Large Member Carrie Sutherland

Christian Education Team

Facilitators Cheryl Parendo, Sandy Winklesky
Children's Church Sandy Winklesky
Fall Festival Cheryl Parendo
Christmas Program Christian Education Committee
SS Teachers Sandy Winklesky, Cheryl Parendo, Ruby Slennes
Adult Education Pastor Katherine
At Large Members Missy Finnely, Amy Kokotovich
..... Candy Kokotovich, Alice Brenny, Renee Randa, Pat Anscorb

Worship Team

Facilitator Donna Mickelson
Members: Julie Brackett, Ruby Slennes, Phyllis Kruell, Alice Brenny
..... Sue Soder, Leo Lambert, Kim Herrig, Andrea Mattila, Cherie Blazevic
Children's Music Ruby Slennes
Music Coordinator/Organist Phyllis Kruell
Praise Team Leaders Phyllis Kruell, Kim Herrig
Altar Candle Care Pat Nelson, Leo Lambert
Communion Stewards Clark & Patty Bennett
Ushers Leo Lambert, Mick & Kathy Levinski, Joe Kokotovich,
Technology Kim Herrig, Phyllis Kruell
Pastor Katherine Cornell

Fine Arts Team Jan Akervik, Judy Pearson

Visitation Team

Facilitator Pat Nelson
Members Pat Anscorb, Phyllis Wolden, Ruth Thorpe,
..... Patty Bennett, Cheryl Parendo, Jan Akervik,
..... Judy Pearson, Sandy Winklesky, Sue Newberry,
..... Karen Gokey, Kathy Levinski, Pastor Katherine

Outreach Team

Facilitator Steve Kokotovich
CHUM Representatives Sandy & Gary Winklesky, Jan Evans
Team Members Dawn Parendo, Judy Pearson, Jan Evans,
Barb Rigstad, Tom & Debbie Houle, Sharon Picconatto, Pastor Katherine
West Duluth Breakfast Representative Jan Evans

Membership Team

Facilitators Clark & Patty Bennett
Team Members Sue Newberry, Sharon Parendo, Pat Nelson,
..... Cherie Blazevic, Karen Gokey, Pastor Katherine
Prayer Chain Facilitator Gary Winklesky

Board of Trustees

Facilitator Nancy Wagner
Project Facilitators Tom Houle, Dale Thorpe
Class of 2021 Peter Downs, Donna Mickelson, Tom Houle, Dale Thorpe
Class of 2022 Keith McGraw, Nancy Wagner, Jim Anderson
Class of 2023 Mick Levinski, Joe Kokotovich, Carol Johnson

Landscaping Team

Facilitator Judy Pearson
Team Members Jeanne Rychlak, Dale Thorpe, Ted Plys, Tom Houle
..... Mick & Kathy Levinski, Dick Wolden, Jerry Smith, Jim Anderson

Staff/Pastor Parish Relations

Facilitator Catherine Sampson
Class of 2021 Bev LeClair, Sheri Scanlon
Class of 2022 Barb Kokotovich, Ted Plys
Class of 2023 Cathy Sampson, Dawn Jones
Lay Leader Steve Kokotovich
Pastor Katherine Cornell

Finance & Stewardship Team

Facilitator Judi VanDell
Team Members Julie Arnt, Larry Sampson, Jan Akervik, Ted Plys
Administrative Council Chair Bonnie Schroeder-Palmi
Treasurer Pat Anscorb
Second Signer Larry Scanlon, Judi VanDell
Trustee Co-Chairs Nancy Wagner, Dale Thorpe, Tom Houle
SPPRC Chair Catharine Sampson
Lay Leader Steve Kokotovich
Offering Counters Audrey Johnson, Sharon Picconatto,
..... Mary DeMars, Karen Gokey, Lynn Tollefson,
..... Kathy Levinski, Sue Newberry, Debbie Houle

Memorials Cheryl Parendo & Sharon Picconatto

Scholarship

Facilitator Shelly Vanneste
VanKleek Representative Ruth VanKleek Thorpe
Maida Representative Jeff Maida
Team Members Nancy Olson, Donna Mickelson, Dennie Parendo

Lay Leadership (formerly "Nominations")

Facilitator Rev. Katherine Cornell
Lay Leader Steve Kokotovich
Class of 2021 Bev LeClair, Jeanne Rychlak
Class of 2022 Jan Akervik, Lynn Tollefson
Class of 2023 Patty Bennett, Leo Lambert

Asbury United Methodist
PO Box 7135
Duluth MN 55807

Return service requested

Meet Our Staff



Pastor:..... Katherine Cornell
Administrative Asst.: Shirley Brandt
Music Coordinator/Organist: Phyllis Kruell
Children's Music:..... Ruby Slennes
Praise Team Leaders.....varies
Custodian: Dan Mokros
Ad Council Chair: .. Bonnie Schroeder-Palmi
Treasurer: Pat Anscorb
Lay Leader:..... Steve Kokotovich
Trustees: Nancy Wagner
..... Tom Houle, Dale Thorpe
UMW President..... Jan Akervik
SPRC Chair Cathy Sampson
Worship Chair Donna Mickelson
Christian Education: Cheryl Parendo
Christian Education: Sandy Winklesky

This newsletter is e-mailed/mailed monthly by Asbury UMC, Duluth MN.

EDITORS: The Rev. Katherine Cornell; Shirley Brandt, Admin. Asst.

CHURCH OFFICE:

218-624-0061 ~ asburyumcduluth@hotmail.com ~ www.asburyduluth.org

NEXT MESSENGER DEADLINE: December 21 for January 2021 Messenger.

Please submit all articles of interest to Shirley in the church office by the deadline listed above.
Items may be dropped off, e-mailed or mailed. Thank you.

Worship With Us Every Sunday at 10:00 am.

NOTE:

1st Sunday of each month we share Holy Communion,
2nd Sunday we recognize those celebrating birthdays.
3rd Sunday our music is led by our Praise Team.
*Every Sunday we give thanks and celebrate
God's great gifts and presence in our lives.*



Asbury's Mission Statement

*Asbury United Methodist is a caring, Christian community which welcomes all persons as God's children.
We will strive to grow in spirit and seek God's vision of hope, love and peace in the community and world.*