



# Asbury

UNITED METHODIST CHURCH  
A Place For All. No Exceptions.

6822 Grand Avenue, PO Box 7135  
Duluth, MN 55807  
218-624-0061

**The Reverend Katherine Cornell**

**In-Church & Online  
Sunday Worship 10:00 am**  
asburyduluth.org/about-us/worship/

**Office Hours**  
Monday-Thursday: 10:00 am to 3:30 pm  
Closed Friday



### Table of Contents

A Penny For Your Thoughts	2
Join the Prayer Chain	
Pastoral Care Info	
Asbury News	3-6 & 7
Worship Notes	
January Birthdays	
Thank You!	
Pictorial Directory	
Scouting Sunday	
Victory Chorus Choir	
Christmas Poinsettias	
Calendar	
Kid's Corner	
Treasurer's Report	
United Women in Faith	7
UWF Awards	
Budget Increases	
Take Down Green	
UWF Meetings	
Upcoming Events	
Meet the Staff	8

# Messenger

## Children's Christmas Program

**A**sbury UMC held its Children's Christmas Program on Sunday, December 11 followed by a lunch of Sloppy Joes and hot dogs provided by the Christian Education Team and Sunday school children. Thank you to everyone for stepping up and helping the Christian Education Team in making the "Cross in the Tree" a reality.

Christmas Program photos by Donna Mickelson



**LEFT:**  
Our Advent Study was based on the story of the Grinch. Our pianist, Phyllis Kruell created the Grinch and Max, shown here. With her is Steve Kokotovich, Outreach Chair.



**RIGHT:** Asbury's Mitten Tree received many donations for helping area school children stay warm this winter.



**Asbury's beautifully decorated Sanctuary.**

The mosaic art pieces for Advent were made by Phyllis Kruell. Thank you, Phyllis.



# A Penny For Your Thoughts



**A**nother year is here and with it a time for new beginnings and new stories to be written and told! I really loved having stories and songs for our Christmas Day worship! My only trouble was that I kept getting choked up hearing all the places where God's love showed up.

And yet, I don't mind shedding the tears. In fact I love hearing stories of God's redemption in people's lives, be it acts of emotional healing, forgiveness, prayers answered, people liberated, or God's glory realized. I don't ever mind hearing these stories even though they will always bring in me some tears. Just know they are tears of joy.

As this year begins, I invite you to join us for worship as we weave our collective stories together to proclaim God's love for us and for all people! We begin this Sunday as we commit our lives and all of our stories to God's time and timing.

Then we'll look at Jesus' baptism and remember how we are all invited into God's presence and claimed by God's Spirit and voice that says we are beloved children.

Next we look at God's call to us and recognize that we all have gifts to offer in service to God. We will recognize our leadership for the year on January 15

and celebrate the abundance of God's provision.

On January 22, Debbie Merrick will be leading services and sharing from her heart of faith.

Finally, we will celebrate the women of the church with United Women in Faith Sunday on January 29.

We are all part of God's stories of love and grace. Let's continue our walk as disciples and share God's story of redemption together.

Blessings and Peace,  
Katherine

## Join the Prayer Chain!

**A**sbury's Prayer Chain is a way to communicate urgent prayer requests to our members and friends. We know that prayer is powerful, so we want to be able to lift up people in prayer as needs arise. We are currently seeking additional team leaders and team members. Here is how you can help:

- Join as a team leader who contacts other Prayer Chain team members with any urgent prayer requests to activate the Prayer Chain.
- Join as a team member who prays when contacted by a team leader. Team leaders also pray.

If you are interested, please call Gary Winklesky, our Prayer Chain facilitator, to let him know you would like to be added as a team leader, team member or both. God chooses to work through us, and prayer is one way in which we can participate in God's work of love in this world. Please join us!

## How the Prayer Chain Works

If you or a family member would like to request prayers, contact Gary, 218-390-6384 or email/call the church office at [asburyumcduluth@hotmail.com](mailto:asburyumcduluth@hotmail.com), 218-624-0061.

If you are requesting prayers for someone other than yourself or a family member, ***please ask permission to share the information*** especially if you are using a person's name in the prayer request. **It is important that "Prayer Requests" remain confidential within our church congregation.**

**Pastoral Care:** Please notify the church office (218-624-0061) if you or someone you know is in need of pastoral care for illness, hospitalization or surgeries. In case of emergency and there is no answer at the church, please contact Pastor Katherine at 828-263-2035 or email at [kcornell@wnccumc.net](mailto:kcornell@wnccumc.net).



# Asbury News



## Thank You!

Dear Asbury Members and Friends:

Thank you to everyone who donated toys and money to the Salvation Army Toy Drive. Your generosity has made Christmas more joyful for many children.  
— Dennie and Sharon Parendo

Dear Members of Asbury UMC:

On behalf of our staff and children we thank you very much for your donation to the Bethany Crisis Center. It was kind of you to think of the children we serve. Your gift will help us provide kids with a safe, warm, comfortable place to stay while they and their families are going through a difficult time.  
— Duncan Greger and Carrie Ayers, Bethany Crisis Center

Dear United Women in Faith:

Thank you for your recent donation to the Union Gospel Mission. Because of the generosity of people like you, UGM celebrated its 100<sup>th</sup> year of service on November 1, 2022. Your ongoing support ensures we can continue the important work of providing nutritious meals to families, children and seniors in need.  
— Katie Haglund, Executive Director

Dear United Women in Faith:

Thank you so much for your kindness and generous gift to Safe Haven. It is heart warming to see that our message of hope and healing for survivors of domestic violence continues to resonate in a way that can bring about real change for our clients. As we reflect our 44+ years of service to survivors in the Twin Ports and beyond, we are thankful for long-time donors who have supported us through it all.  
— Sarin Skoog, Director of Philanthropy

Dear United Women in Faith:

We deeply appreciate all your energy, care and generosity for our youth and young families at LifeHouse. Our work is possible with partners like you by our side. Thank you for being with our young people on their journey. Because of your donation, homeless and street youth in the region have somewhere to turn when they are left to fend for themselves. We can't thank you enough.  
— Jordon Eunison-Chisti, PhD, Executive Director

Dear United Women in Faith:

We greatly appreciate your continued support in our effort to end veteran homelessness in the state of Minnesota. (*The free-will offering received at the UWF Advent Tea was sent to the Minnesota Assistance Council for Veterans.*)  
— Kevin, MACV

Our 2022 Thanksgiving and Christmas offerings went to TPUMMs in support of local ministries and towards our 2022 MN Annual Conference Apportionments.

Our January Outreach/ Communion Offering collection is for AEOA Heating/Energy Assistance

### Attendance . . .

Dec. 4	63 In-church/18 views
Dec.11	82 In-church/56 views
Dec.18	61 In-church/28 views
Dec. 24	76 In-church/59 views
Dec. 25	27 In-church/29 views

### Scripture Readers . . .

Jan. 1	Sue Soder
Jan. 8	David Stromgren
Jan. 15	Ruth Thorpe
Jan. 22	Matt Wrazidlo
Jan. 29	Dale Thorpe



### JANUARY BIRTHDAYS

- 9 Debbie Merrick
- Dave Stromgren
- 17 Jim Gimpel
- 18 Ron Brosdal
- Sue Soder
- 20 Mike Akervik
- Phyllis Mullen
- 23 Audrey Johnson
- Angie Thibault
- 26 Kaylee Randa
- 27 Michael Cornell
- Aidan Thibault
- 28 Kathy Downs
- 31 Alice Brenny

*Not included?  
Please contact the church office at 624-0061.*



### HOT OFF THE PRESS! Asbury's Pictorial Directory

Asbury's pictorial directory is finally here! Directories will be available for pick up on the table in the Narthex. **Cost is \$5.00 each.** Please put cash or check (made out to Asbury UMC) in the box on the table. If you have already prepaid, please take your directory.

Thank you to our Membership Team for their help in gathering information and proofing the directory. A HUGE thank you to Karen Gokey who took pictures, organized and input the information and did the graphic design. An arduous job, well done!

# Asbury News

## LEGACY

### INVESTING IN THE FUTURE

Giving to your Church through your will or trust is a great way to share life-changing ministry with future generations. Remember to include Asbury UMC in your giving plan.

**SAVE THE DATE**  
Saturday, April 29<sup>th</sup>  
to learn more!

### Scouting Sunday – February 6

The Boy Scouts of America is one of the nation's largest and most prominent values-based youth development organizations. The BSA provides a program for young people that builds character, trains them in the responsibilities of participating citizenship and develops personal fitness.



Boy Scout Troop 16 meets here at Asbury UMC. The youth of Troop 16, along with their leaders, will be helping with various parts of the worship on February 6 as part of Scouting Sunday. Please come and meet some of the boys.



## Victory Chorus

### Dementia Friendly Choir

The Victory Chorus, an inclusive choir for persons living with memory loss and their care partners, is a joy-filled, supportive and inclusive community choir where persons living with memory loss sing together with their care partners and volunteers from the community. No audition, no pressure — just a great time!

We welcome anyone living with Alzheimer's or other dementias who want to make great music, create positive memories with their care partners and make new friends. **Our very own Clark Bennett is part of the choir and loves it!**

For more information on the Victory Chorus, please contact Beth Kaiser at [vcjoybethk@gmail.com](mailto:vcjoybethk@gmail.com) or 218-343-8145. We look forward to meeting you.



## 2022 Christmas Poinsettias

**In Memory of**  
Myron "Mike" Akervik  
**In Celebration of**  
My Family  
Jan Akervik

**In Thankfulness for**  
Family & Friends  
Clark and Patty Bennett

**In Honor of**  
Asbury's Congregation  
My family, husband Brian,  
sons Michael,  
James, Paul, David  
**In Celebration of**  
Asbury's staff:  
Shirley, Phyllis, Dan  
Pastor Katherine Cornell

**In Memory of**  
Family & Friends  
Don & Mary DeMars

**In Memory of**  
M. George and Loved Ones  
Barb Downs and Family

**In Memory of**  
Donald Youngdahl &  
Amanda Marzolf  
Dawn Jones  
Stephanie, Logan &  
Brendyn Peterson

**In Celebration of**  
Louise Anderson  
Steve & Barb Kokotovich  
Leila Lundberg

**In Celebration of**  
Our beautiful grandchildren  
Arianna, Marc., Jr & Nora  
Steve & Donna Mickelson

**In Memory of**  
Rodger & Cheryl Parendo  
Dawn,  
Dennie & Sharon Parendo

**In Memory of**  
My husband, Charles  
**In Celebration of**  
Family  
Joyce Park

**In Memory of**  
Our Loved Ones  
Bonnie Schroeder-Palmi  
& Duane Palmi

**In Celebration of**  
Lois Stromgren's 95th Birthday  
David Stromgren

**In Memory of**  
My husband, Roy  
Lois Stromgren

**In Memory of**  
Louise & John Taraldsen  
**In Celebration of** Family  
Karen Taraldsen Anderson  
& Family

**In Memory of** Loved Ones  
**In Honor of** Jesus' Birth  
Dale & Ruth Thorpe

**In Memory of** Ross Wagner  
**In Honor of** Family  
**In Celebration of**  
My Grandsons  
Nancy Wagner

**In Memory of**  
Our Parents and Grandparents  
**In Celebration of**  
Our Lisa Greene's Life  
Gary & Sandy Winklesky

*Our Advent and Christmas Eve bulletins were provided by Jan Akervik in memory of her husband, Mike.*

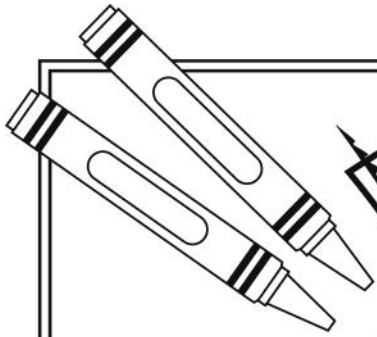
# Calendar

## January 2023

Sun	Mon	Tue	Wed	Thu	Fri	Sat
<b>1</b> <b>EPIPHANY SUNDAY/                      NEW YEAR'S DAY/                      CONVENANT RENEWAL</b> 10:00 am, Worship/ Communion 11:00 am, Fellowship, FH	<b>2</b> OFFICE CLOSED	<b>3</b> 9:30 am Bone Builders, FH  10:00 am, SVFC, WR  11:30 am, MS Group, FH	<b>4</b> 8:30 am Men's Coffee, FH  9:30 am UWF Board Meeting, WR  5:30 pm, YOGA, FH 6:30 pm, Praise Team	<b>5</b> 9:30 am Bone Builders, FH  <b>10:00 to 10:45 am,                      2nd Harvest Food                      Distribution</b>	<b>6</b>  Dumpster Pick Up	<b>7</b>
<b>8</b> <b>BAPTISM OF THE LORD</b> 9:00 am, Asbury Singers 10:00 am, Worship/Birthday 11:00 am, Fellowship, FH	<b>9</b> 2:00 pm Knitting Klub, WR	<b>10</b> 9:30 am Bone Builders, FH  10:00 am, SVFC, WR  4:00 pm, Trustees, WR	<b>11</b> 8:30 am Men's Coffee, FH  1:00 pm Visitation, WR  5:30 pm, YOGA, FH 6:30 pm, Praise Team	<b>12</b> 9:30 am Bone Builders, FH  2:00 pm Finance, WR	<b>13</b>	<b>14</b>
<b>15</b> <b>LEADERSHIP RECOGNITION</b> 10:00 am, Worship/Praise 10:15 am, Sunday school 11:00 am, Fellowship, FH	<b>16</b> 9:30 am Green Door Book Group, WR	<b>17</b> 9:30 am Bone Builders, FH 10:00 am, SVFC, WR 1:00 pm Love/Hope Circle, WR  6:30 pm Ad Council, FH & Zoom	<b>18</b> 8:30 am Men's Coffee, FH 1:00 pm Membership, WR 5:30 pm, YOGA, FH 6:00 pm Christian Ed, WR 6:30 pm, Praise Team	<b>19</b> 9:30 am Bone Builders, FH  TBD Faith Circle  <b>MESSENGER                      DEADLINE</b>	<b>20</b> Boy Scout Troop 123, FH  Dumpster Pick Up	<b>21</b> Boy Scout Troop 123, FH  11:00 am Sue Stebner Funeral
<b>22</b> 9:00 am, Asbury Singers 10:00 am, Worship/ Debbie Merrick preaching 10:15 am, Bible Bingo 11:00 am, Fellowship, FH	<b>23</b>	<b>24</b> 9:30 am Bone Builders, FH  10:00 am, SVFC, WR	<b>25</b> 8:30 am Men's Coffee, FH  5:30 pm, YOGA, FH  6:30 pm, Praise Team	<b>26</b> 9:30 am Bone Builders, FH  <b>MESSENGER                      EMAILS/MAILS</b>	<b>27</b>	<b>28</b> 9:00-10:30 am Free Community Breakfast, Our Savior's Lutheran
← Pastor Katherine on vacation January 22-24 →						
<b>29</b> <b>UWF SUNDAY</b> 9:00 am, Asbury Singers 10:00 am, Worship 10:15 am, Sunday school 11:00 am, Fellowship, FH	<b>30</b>	<b>31</b> 9:30 am Bone Builders, FH  10:00 am, SVFC, WR  6:30 pm, Worship Team, WR	Boy Scout Troop 16 meets on Sundays, 6:00 to 7:30 pm in the Fellowship Hall. Gentle Yoga meets on Wednesdays, 5:30 pm in the Fellowship Hall (unless otherwise specified). Call Cheryl Zupec at 218-343-4478 for more information. <b>Asbury Singers practice each Sunday except Praise Sunday from 9:00 to 9:30 am</b> <b>Praise Team practice each Wednesday at 6:30 pm</b>			



# Kid's Corner



# PUZZLE

## A NEW CREATION



The apostle Paul says everyone who believes in Jesus becomes brand new.



*Directions: Cross out every third letter. Then write the remaining letters in the blanks to complete 2 Corinthians 5:17, NIV.*

THIEROEFQORXEIDFAMNYAON  
 SEILSITNCVHRKISDTTBHEWNE  
 QWCDREYATMIOCNHFASWCOR  
 MEGTHWEOFLDXHASSGZONL  
 ETJHEWNEQWIDSHREROE

----- , -----  
 ----- , -----  
 ----- : -----  
 ----- , -----

----- ! 2 CORINTHIANS 5:17, NIV

The old has gone, the new is here! 2 Corinthians 5:17, NIV



## NEW YEAR'S NOISE-MAKERS

Ring in the New Year with these fun noisemakers!



### What you need:

- Wooden craft sticks
- Metallic paint (gold and silver)
- Paint brushes
- Jingle bells (gold and silver)
- Hot glue gun
- Metallic ribbon
- Scissors
- Adult help

### What you do:

1. Paint half the sticks gold and half silver. Let dry.
2. Glue three bells to each stick.
3. Cut a six-inch piece of ribbon for each stick. Tie a bow and glue it to the noisemaker. Celebrate!





## UWF Sunday — January 29

UWF Sunday will be January 29. The group will honor Charles Crumb with the **Special Mission Recognition Award** and Lois Stromgren and Barbara Downs with **Lifetime Service Awards**. Biographic information about each person will be shared during the service. Please join us in celebrating Charles, Lois and Barbara.

Cheryl Parendo, Anna Guldner and Pat Ballantine will be honored with **Gifts of Memory**.

All honored persons will have a gift made to UWF Missions in their name.

## UWF Budget Increases

With the huge success of the Fall Pantry the budget for 2023 Missions has been increased. Additional funds have been allotted to the Union Gospel Mission, Kid's Closet, Safe Haven Shelter, Life House and Harbor House.

Additional missions added to the 2023 budget include CHUM and the Valley Youth program. Other expenditures remain the same as the 2022 budget.

We again thank everyone who helped make the 2022 Fall Pantry such a huge success!

## Taking Down the Green — TBD

Taking down the greens at Asbury is slated for sometime in January. We are hoping a multitude of volunteers will help us with this endeavor. Lots of hands make short work. We can use help in all areas. Please check upcoming announcements for the date.

# Asbury News

### TREASURER'S REPORT: 11/30/22

#### GENERAL FUND:

Beginning Cash Balance, 10/31/22	<\$ 4,778.50>
Deposits	\$ 11,633.36
Total to Account for	\$ 16,411.86
Checks Written	<\$ 16,503.86>
Balance on Hand, 11/30/22	<\$ 92.00>
Unpaid Bills through 11/30/22 (includes apportionments)	<\$15,549.22>
Net Ending Balance at 11/30/22	<\$15,641.22>



## UWF Meetings

- UWF board members meet at 9:30 am in the Wesley Room on the 1st Wednesday of each month. **The UWF Board will meet January 4.** Judy Pearson will provide devotions. A decision will be made at the meeting about going out for lunch following the meeting.
- Love/Hope Circle meets at 1:00 pm in the Wesley Room on the 3rd Tuesday of each month. **Love/Hope Circle will meet on January 17.**
- Faith Circle meets at 1:00 pm on the 3rd Thursday of each month. **Faith Circle will meet on January 19.** The time and place will be **emailed** to members after a survey of membership has been made.
- Knitting Klub meets at 2:00 pm in the Wesley Room on the 2nd Monday of the month. **The Knitting Klub will meet on January 9.**
- Green Door Book Club meets at 9:30 am in the Wesley Room on the 3rd Monday of each month. **The Green Door Book Club will meet on January 16.**
- **Bone Builders Plus meet on Tuesdays and Thursdays in the Fellowship Hall from 9:30 to 10:30 am.** They do not meet on holidays or if there is a special event at Asbury. Bone Builders Plus is a program to improve balance, muscle strength, bone density and increase energy. It helps to prevent falls and improve dexterity. Participants enjoy increased socialization. Call Mary Kay at 651-206-9874 or Jan at 218-626-1539 for more information.

## UPCOMING Events

**February 3-4** Pasty Sale

**April 18** Drive-Through Meatball Dinner

**June 2** Donuts (National Donut Day)

**June 22** Rummage Sale

More information to come in upcoming announcements and Messengers.

Asbury United Methodist  
PO Box 7135  
Duluth MN 55807

Return service requested

## Meet Our Staff



Pastor:..... Katherine Cornell  
Administrative Asst.: .....Shirley Brandt  
Music Coordinator/Organist: .....Phyllis Kruell  
Praise Team Leaders.....varies  
Custodian: .....Dan Mokros  
Ad Council Chair: .....Sandy Winklesky  
Treasurer: .....Pat Anscomb  
Finance ..... Judi VanDell  
Lay Leader/Outreach: ..... Steve Kokotovich  
Trustees: .....Nancy Wagner, Terry Olson  
UMW President.....Jan Akervik  
SPRC Chair ..... Barb Kokotovich  
Worship Chair .....Donna Mickelson  
Christian Ed.: Alice Brenny/Sandy Winklesky  
Scholarship ..... Shelly Vanneste  
Membership ..... Candy Kokotovich  
Visitation ..... Karen Gokey

This newsletter is e-mailed/mailed monthly by Asbury UMC, Duluth MN.

**EDITORS:** The Rev. Katherine Cornell; Shirley Brandt, Admin. Asst.

**CHURCH OFFICE:**

218-624-0061 ~ asburyumcduluth@hotmail.com ~ www.asburyduluth.org

**NEXT MESSENGER DEADLINE: January 19 for February 2023 Messenger.**

Please submit all articles of interest to Shirley in the church office by the deadline listed above.  
Items may be dropped off, e-mailed or mailed. Thank you.

### **Worship With Us**

**Every Sunday at 10:00 am.**

**NOTE:**

1st Sunday of each month we share Holy Communion,  
2nd Sunday we recognize those celebrating birthdays.  
3rd Sunday our music is led by our Praise Team.  
*Every Sunday we give thanks and celebrate  
God's great gifts and presence in our lives.*



#### **Asbury's Vision & Mission Statement**

**Vision:** At Asbury UMC, we believe God's words and ways are key to abundant life for ourselves and our community.

**Mission:** Asbury UMC is a welcoming, active church that exists to serve, grow, build, and bless our congregation, community, and the world.